

HAND-HELD INFRARED

DHS-100 Heat Spy® Series

All DHS-100 models feature:

- Rugged, light-weight construction allowing quick pointing and easy carrying
- Temperature measurement range of 0° to 850° F (-18° to 450° C)
- $\pm 3^\circ\text{F}/\pm 2^\circ\text{C}$ (or $\pm 2\%$ of reading) accuracy
- Large, easy-to-read LCD digits with switch on back light for low light conditions
- Low-drain battery operation with low-battery indicator
- Display hold of last reading for 6 seconds
- °F or °C range selectable
- New two year warranty and upgrade policy
- CE compliance



DHS-100XE
DISPLAY

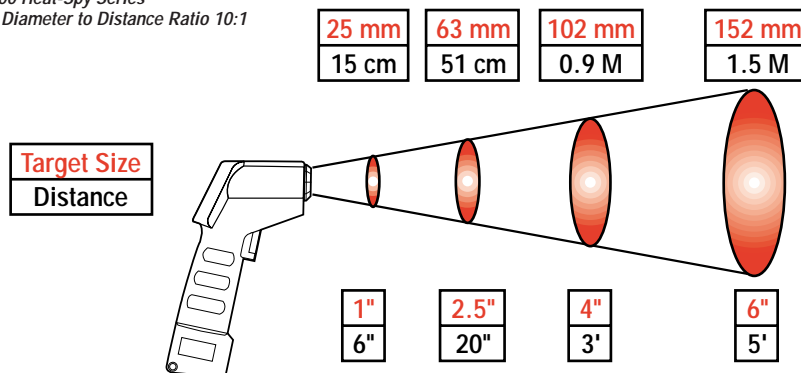


DHS-100 Heat Spys Are Low-Cost, Value-Packed Instruments



DHS-100X

DHS-100 Heat-Spy Series
Target Diameter to Distance Ratio 10:1



DHS-100 Heat Spy® Series

Advanced Menu-Driven Models (DHS-100XE and DHS-100XEL) Feature:

- Menu selection of maximum, minimum, maximum differential, and average temperatures
- Adjustable emissivity of 0.10 to 1.00
- °F or °C software-selectable
- Audible and visual alarm at HI/LO setpoint
- Menu selectable battery voltage and % of battery life displays
- Memory recalls all previous temperature selections until next reading is taken

Laser-sighting models (DHS-100XL and DHS-100XEL) Feature:

- Bright laser aiming beam for precision targeting.
- Safe Class 2, 1mW laser beam sights at 0.5" above target center



DHS-100XL

DHS-100XEL
DISPLAY

Shown Actual Size



DHS-100XEL

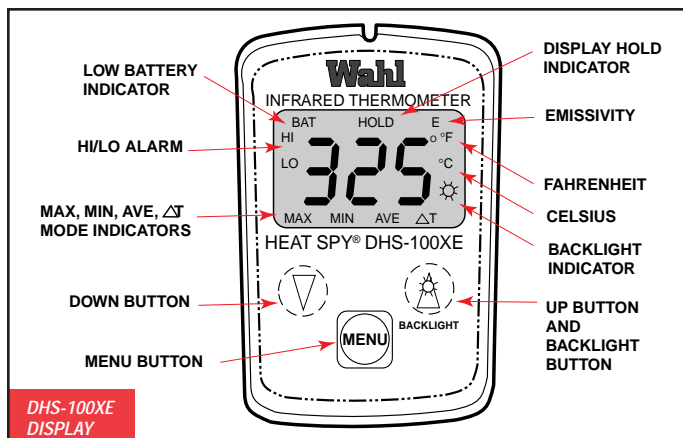
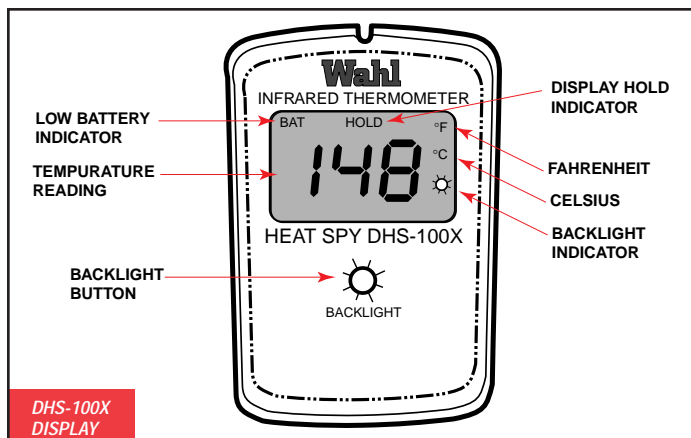
New, Effective on all orders received.

Extended Warranty: DHS-100 Heat Spy series now carries a two year warranty. The warranty covers defective materials and workmanship, subject to Wahl's evaluation, if the product is returned to Wahl, freight prepaid, within two years of original invoice date.

Upgrade Policy: Upgrade any DHS-100 series Heat Spy to a New DHS-200 series model (page 10 & 11). Within two years of date of its shipment, you may return your DHS-100X, DHS-100XL, DHS-100XE or DHS-100XEL, freight prepaid, to Wahl and apply its current list price at the time of return as a credit towards purchase of a DHS-200XL or DHS-200XEL. The DHS-200 series price will be based on current list at the time of exchange.

Open Sighting Models

Parameter	DHS-100X	DHS-100XE
Temperature Range	0 to +850°F (-18 to +450°C)	
	Displays HI when target temp > 851°F (455°C) nominal	
	Displays LO when target temp < -20°F (-28°C) nominal	
Laser Sighting	NA	
Accuracy at 23 ± 5° C, e =0.95	Greater of ± 2% of reading or ± 3°F (± 2°C)	
Repeatability at 23 ± 5° C, e =0.95	Greater of ± 1% of reading or ± 2°F (± 1°C)	
Response Time	500msec	
Spectral Response	7-18 microns nominal, thermopile detector	
Display Hold	Last reading and operating mode displayed for 6 seconds nominal upon trigger release	
LCD Backlight	User selectable	
Emissivity	Pre-set 0.95	0.10 to 1.00, user selectable. Automatically switches to AVERAGE mode for emissivity < 0.3
Max, Min Δ T,	no	yes and Avg temperatures
Recall Last Reading	no	yes
High or Low audible/visual alarm	no	yes
Temperature display	°F or °C (switchable), 3 digit LCD	°F or °C (software-selectable), 3 digit LCD
Display resolution	1°F or °C in all modes	
Ambient operating range	32 to 120°F (0 to 50°C)	
Relative humidity	10% to 90%, noncondensing @ up to 86°F (30°C)	
Storage temperature	-13 to 158°F (-25 to 70°C) without battery	
CE Compliant	Yes	
Power	9V Alkaline (included) or NiCad battery	
Battery life (with alkaline) (spare batteries available)	150 hours, 50% duty cycle, no backlight. 60 hours, continuous operation, no backlight. 40 hours, 50% duty cycle, with backlight.	
Battery life indicator	Display icon flashes when low.	Display icon flashes when low, menu recalls % life remaining and actual voltage.
Temperature update rate	5 readings per second	
Dimensions	5.5 x 2.0 x 8.5 in. (140 x 51 x 216 mm)	
Weight	11.2 oz. (318 gm)	
Included Accessories	Zip-up carrying pouch, with "D" ring, Wrist strap	
Options	Carrying pouch, Wrist strap, NIST certification	NIST certification



Laser Sighting Models

Parameter	DHS-100XL	DHS-100XEL
Temperature Range	0 to +850°F (-18 to +450°C)	
	Displays HI when target temp > 851°F (455°C) nominal	
	Displays LO when target temp < -20°F (-28°C) nominal	
Laser Sighting	Bright laser sight Class 2 (1mW), 0.5" above target center	
Accuracy at 23 ± 5° C, e = 0.95	Greater of ± 2% of reading or ± 3°F (± 2°C)	
Repeatability at 23 ± 5° C, e = 0.95	Greater of ± 1% of reading or ± 2°F (± 1°C)	
Response Time	500msec	
Spectral Response	7-18 microns nominal, thermopile detector	
Display Hold	Last reading and operating mode displayed for 6 seconds nominal upon trigger release	
LCD Backlight	User selectable	
Emissivity	Pre-set 0.95	0.10 to 1.00, user selectable. Automatically switches to AVERAGE mode for emissivity < 0.3
Max, Min Δ T,	no	yes
Recall Last Reading	no	yes
High or Low audible/visual alarm	no	yes
Temperature display	°F or °C (switchable), 3 digit LCD	°F or °C (software-selectable), 3 digit LCD
Display resolution	1°F or °C in all modes	
Ambient operating range	32 to 120°F (0 to 50°C)	
Relative humidity	10% to 90%, noncondensing @ up to 86°F (30°C)	
Storage temperature	-13 to 158°F (-25 to 70°C) without battery	
CE Compliant	yes	
Power	9V Alkaline (included) or NiCad battery	
Battery life (with alkaline) (spare batteries available)	150 hours with backlight off 20 hours with backlight on 50%. 16 hours, with laser on 50% and backlight on 50%	
Battery life indicator	Display icon flashes when low	Display icon flashes when low, menu recalls % life remaining and actual voltage
Temperature update rate	5 readings per second	
Dimensions	5.5 x 2.0 x 8.5 in. (140 x 51 x 216 mm)	
Weight	11.2 oz. (318 gm)	
Included Accessories	Zip-up carrying pouch, with "D" ring, Wrist strap	
Options	NIST certification	

